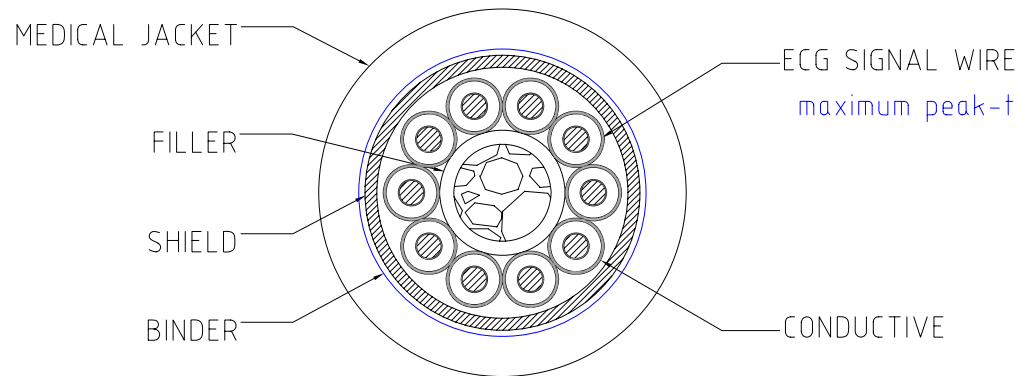
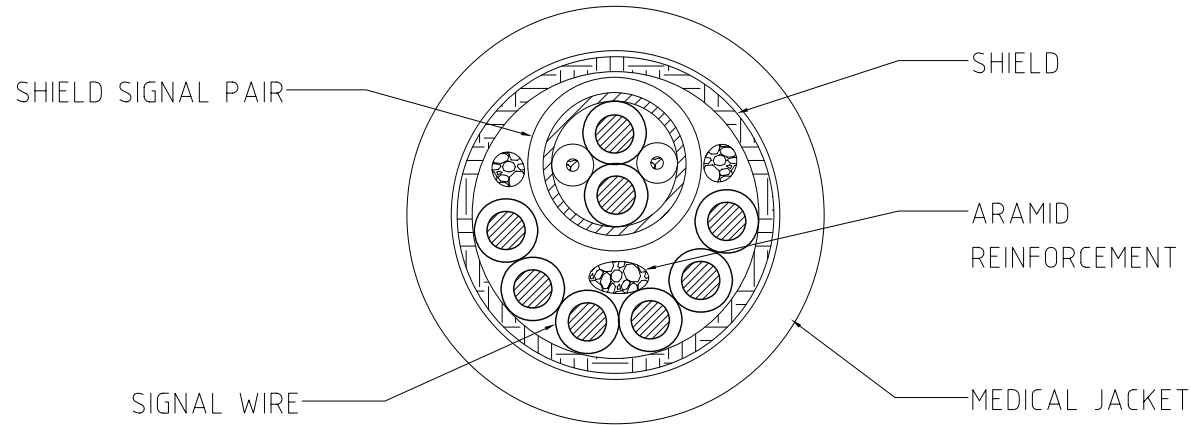
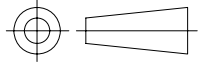



UNLESS OTHERWISE SPECIFIED
DIMENSIONS ARE IN MM

THIRD ANGLE
PROJECTION



maximum peak-to-valley noise measured on the oscilloscope is $\leq 50 \mu V$.

				DRAWN BY	HENRY	DATE	2021/06/18	 三元科技 (深圳) 有限公司 SUN-ROUND TECHNOLOGY (SHENZHEN) CO., LTD				
				CKD.BY	HENRY	DATE	2021/06/18					
A	INITIAL RELEASE	F.B	2021/06/18	ENG.APPR.	FENGBIN	DATE	2021/06/18	TITLE	PATIENT MONITORING CABLE			
REV.	DESCRIPTION	APPR.BY	DATE	DWG.NO.	----							
REVISION HISTORY				SCALE	NONE	SIZE	A4	REV.	A	SHEET	1 OF 1	